



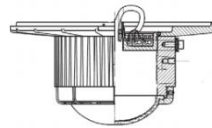
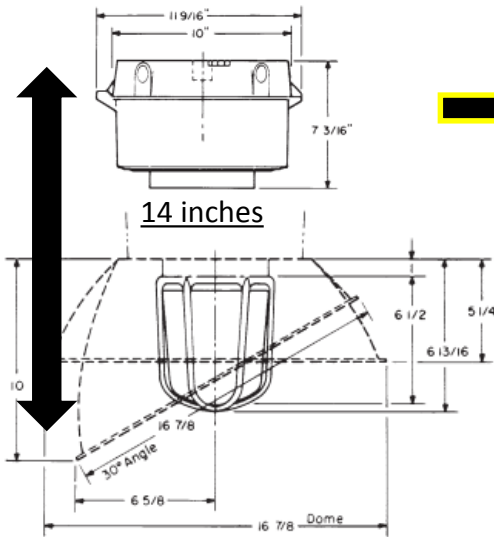
**SNELSON HACK  
CI/D2 LED  
RETROFIT KIT**



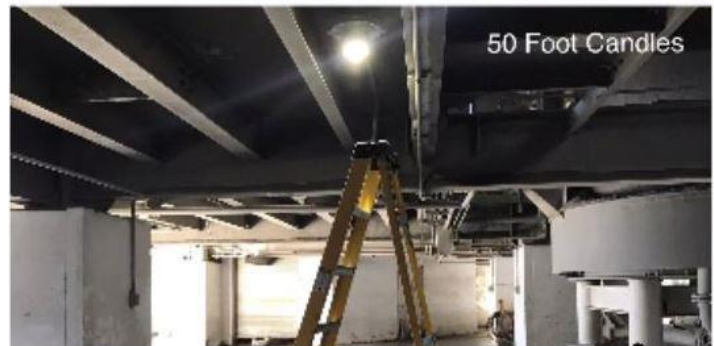
100 Watt / 20,000 hrs



36 Watt / 100,000 hrs



5 inches



**HACK** replaces:  
 Holophane PetroLux®  
 Appleton Mercmaster® II/III  
 Crouse Hinds-Champ® VMV and PMV  
 Killark® VM Tank Series  
 20-25lbs

**Snelson's HACK Family Retrofit:**  
**36W|50W|60W 6.5 lbs**  
**Install time 10-20min**

**BEFORE AND AFTER**  
 Replaced 100W HPS with  
 36W Retrofit