



### FEATURES & SPECIFICATIONS:

#### Construction

- Marine Grade die-cast aluminum housing
- Oxidized Hammer Finish and two high-durability polyester powder coating layers
- Marine Grade stainless steel hardware & mounting
- Stainless steel cable glands with adapter from M20 to 3/4"
- Enclosure color silver, other colors available

#### Optical System

- Light Source: CREE | XT-E | S4 LED's
- Color Temperature: 5000K (standard), 2800-5700K special order
- Xctkqwu"Lumen Packageu:" 5,400 - 9,000 Lumens
- 150 Lumens Per Watt
- Vgo r gtgf "ergct"dqtqkrlccvg"i rcuu'rgpu
- 120° Optics. 17°, 25°, 40°, 60°& 80° available special order

#### Electrical System

- LED Driver Protection: Overload, temperature, short-circuit and surge" protection
- 110-277V, 50/60HZ replaceable driver

#### Weight & Dimensions:

- 9.5" x 5.8"
- 5.6 lbs

#### Other

- Rated life 100,000 hours at 25°C
- 5 year warranty

#### LISTINGS:

UL 844 for Use in Hazardous Locations  
 UL 1598A Marine Outside Type (Saltwater)  
 CSA C22.2 No. 250.0  
 CSA C22.2 No. 137  
 IP66

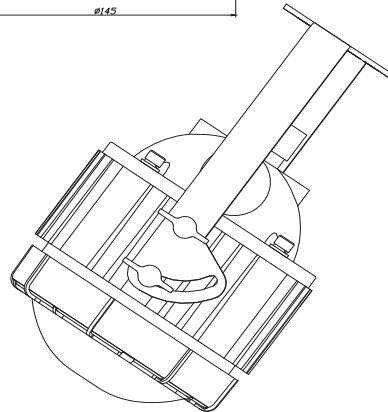
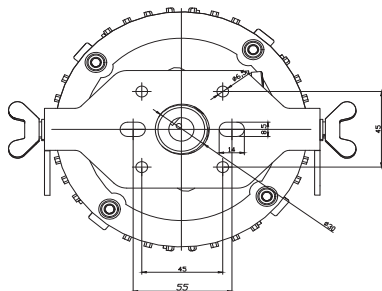
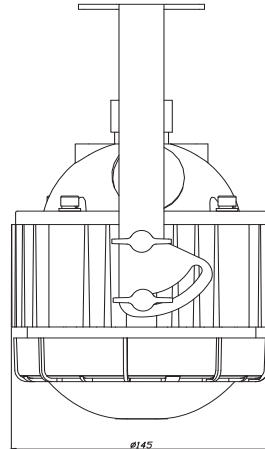
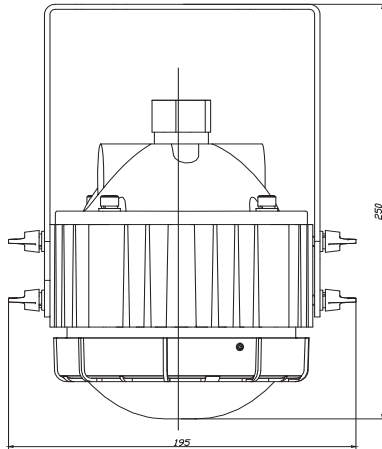
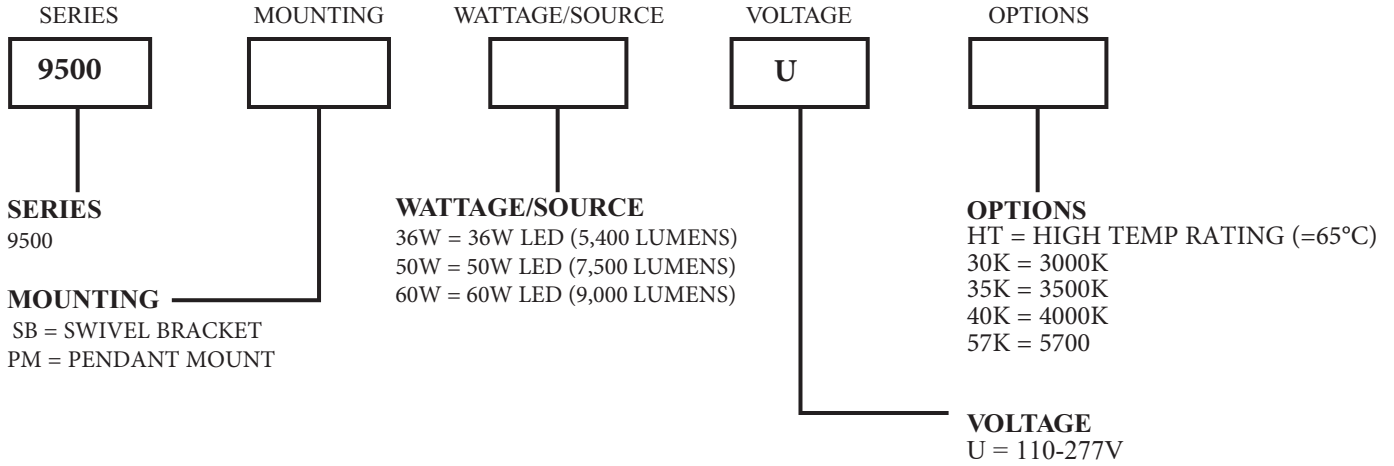
Class I Division 1 Groups C, D  
 Class I Division 2 Groups A, B, C, D  
 Class II Division 1 and 2 Groups E, F  
 Class III  
 Class I Zone 1 Group IIB T6  
 Class I Zone 2 Group IIC T6  
 Class II Zone 20, 21, or 22 Group IIB T6  
 1Ex d IIC T5  
 -60°C to +55°C  
 -60°C to +65°C (Optional)

#### APPLICATIONS:

Coastal Marine Areas  
 Chemical Plants  
 Pharmaceutical Plants  
 Wastewater Treatment Plants  
 Hazardous Storage Facilities  
 Cold Storage Facilities  
 Corrosive Environments  
 Shipyards / Marine Vessels  
 Subzero Storage  
 Modular Skids / Buildings  
 Elevator Shafts  
 Tunnels

# 9500 SERIES

## ORDERING INFORMATION



SNELSON OILFIELD LIGHTING  
 8622 FAIRBANKS N HOUSTON  
 HOUSTON, TX 77064

[www.snelsonlights.com](http://www.snelsonlights.com)

Phone 713-937-3600  
 Phone 866-563-2832