

## LOW PROFILE HAZLOC LED



### FEATURES & SPECIFICATIONS:

#### Construction

- Marine Grade die-cast aluminum housing
- Oxidized Hammer Finish and two high-durability polyester powder coating layers
- Marine Grade stainless steel hardware & mounting
- Stainless steel cable glands with adapter from M20 to 3/4" or 1/2"
- Enclosure color silver, other colors available

#### Optical System

- Light Source: CREE | XT-E | S4 LED's
- Color Temperature: 5000K (standard), 2800-5700K special order
- Lumen Package: 3,000 Lumens / 150 lumens per watt (20W)
- 120° Optics. 17°, 25°, 40°, 60° & 80° available special order

#### Electrical System

- LED Driver Protection: Overload, temperature, short-circuit and surge protection
- 110-277V, 50/60HZ replaceable driver

#### Weight & Dimensions:

- 5.9" x 3.3"
- 2 lbs

#### Other

- Rated life 100,000 hours at 25°C
- 5 year warranty

#### LISTINGS:

UL 844 for Use in Hazardous Locations  
UL 1598A Marine Outside Type (Saltwater)  
CSA C22.2 No. 250.0  
CSA C22.2 No. 137  
IP66

Class I Division 2 Groups A, B, C, D  
Class II Division 1 and 2 Groups E, F  
Class III

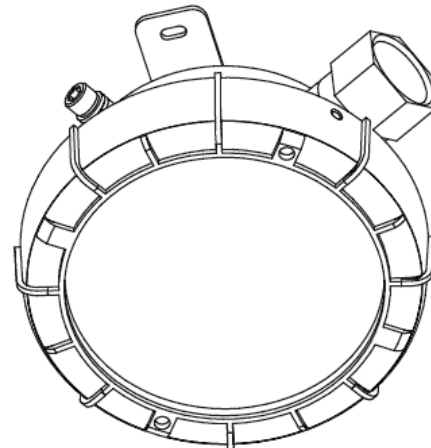
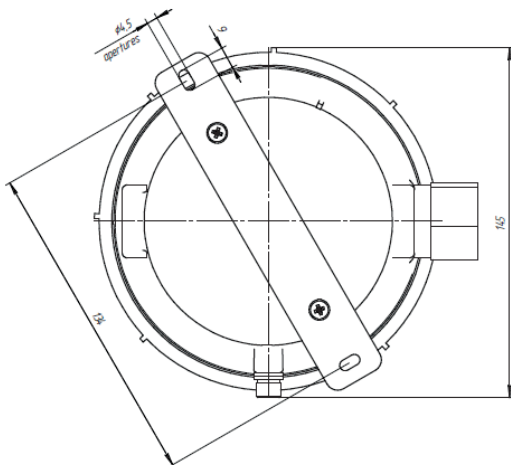
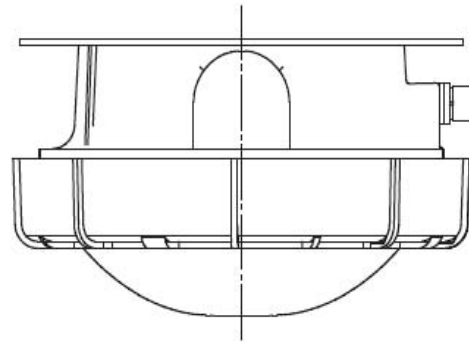
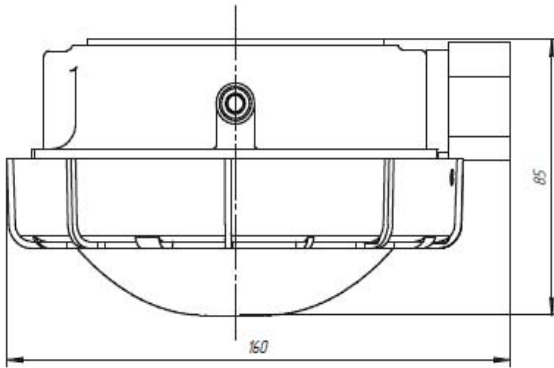
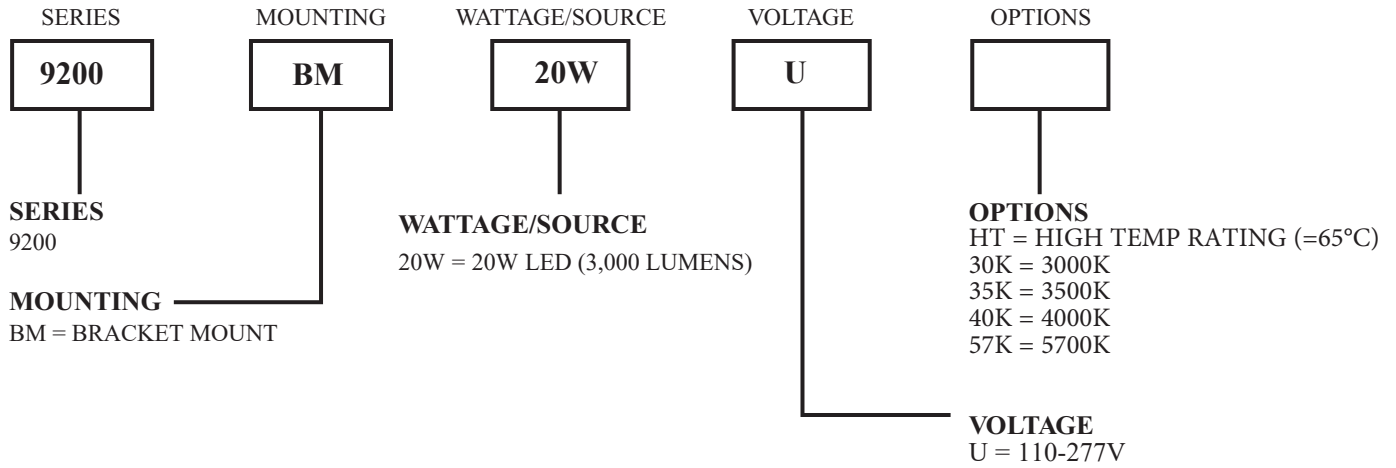
Class I Zone 2 Group IIC T6  
Class II Zone 20, 21, or 22 Group IIB T6  
1Ex d IIC T5  
-60°C to +55°C  
-60°C to +65°C (Optional)

#### APPLICATIONS:

Coastal Marine Areas  
Chemical Plants  
Pharmaceutical Plants  
Wastewater Treatment Plants  
Hazardous Storage Facilities  
Cold Storage Facilities  
Corrosive Environments  
Shipyards / Marine Vessels  
Subzero Storage  
Modular Skids / Buildings  
Elevator Shafts  
Tunnels

# 9200 SERIES

## ORDERING INFORMATION



SNELSON OILFIELD LIGHTING  
8622 FAIRBANKS N HOUSTON  
HOUSTON, TX 77064

[www.snelsonlights.com](http://www.snelsonlights.com)

Phone 713-937-3600  
Phone 866-563-2832