

FEATURES & SPECIFICATIONS:

Construction

- Housing and end caps are heavy-duty cast, copper-free aluminum that is both durable and corrosion resistant
- External hardware is 316 stainless steel
- One-piece high temperature propylene gasket protects ballast housing and end caps from outside elements
- Threaded end caps allow relamping from either side of the fixture

Optical System

- Reflector is heavy-duty extruded aluminum with a white powder coat finish providing high reflectance
- Tempered borosilicate glass tubes provide lamps with heat protection

Electrical

- Maximum Output 10,945 lumen at 88W (other wattage available)
- 126 lumens per watt or greater
- 0-10V Dimming Available
- -40°C TO 55°C Operating Temperature
- 4000K CCT Standard (3000K, 3500K & 5000K Optional)
- THD<10%
- CRI>80

7200 LED SERIES

EXPLOSION PROOF LED
CLASS I, DIVISION I
GROUPS C & D
CLASS II, DIVISION I
GROUPS E, F, & G
CLASS III

LISTINGS:

- ETL TESTED TO UL 844
CLASS I, DIV. 1, GROUPS C & D
CLASS II, DIV. 1, GROUPS E, F & G,
CLASS III
- ETL TESTED TO UL 1598A
MARINE/OUTDOOR USE
- USE INSIDE PAINT BOOTHS
- ABS APPROVED

APPLICATIONS:

- Drilling rigs
- Offshore platforms
- Waste water treatment plants
- Paint booths
- Shipyard facilities
- Coastal marine areas
- Chemical plants
- Pharmaceutical plants
- Mining
- Cold storage facilities
- Hazardous storage areas
- Corrosive environments

OPTIONS:

- Wire guard
- Shock mount kit
- 4' Stainless steel safety cable
- 3000K, 3500K, 5000K
- Emergency Battery (Consult Factory)

SHIPPING WEIGHT:

- 50 LBS (Standard Unit)

7200 LED SERIES

ORDERING INFORMATION

SERIES/LENGTH

72L*

SERIES/LENGTH

72L2 = 2'
72L4 = 4'

LED WATTAGE

LED WATTAGE

2' MODEL
20 = 27W (3,726 LUMENS)
40 = 44W (5,544 LUMENS)
4' MODEL
50 = 54W (6,804 LUMENS)
65 = 65W (8,190 LUMENS)
80 = 77W (9,702 LUMENS)
90 = 88W (11,088 LUMENS)

VOLTAGE

U

VOLTAGE

U = 120-277V (50/60 HZ)

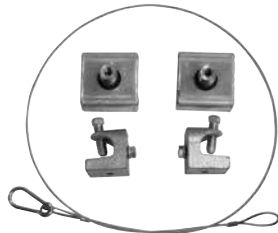
OPTIONS

OPTIONS

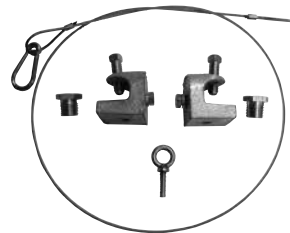
30K = 3000K CCT
35K = 3500K CCT
50K = 5000K CCT
7200WG = WIRE GUARD
SMK = SHOCK MOUNT KIT
BCK = BEAM CLAMP MOUNTING KIT
EM = EMERGENCY BATTERY
(CONSULT FACTORY)

MOUNTING ACCESSORIES

Mounting hardware is **not included with fixtures and must be ordered separately.

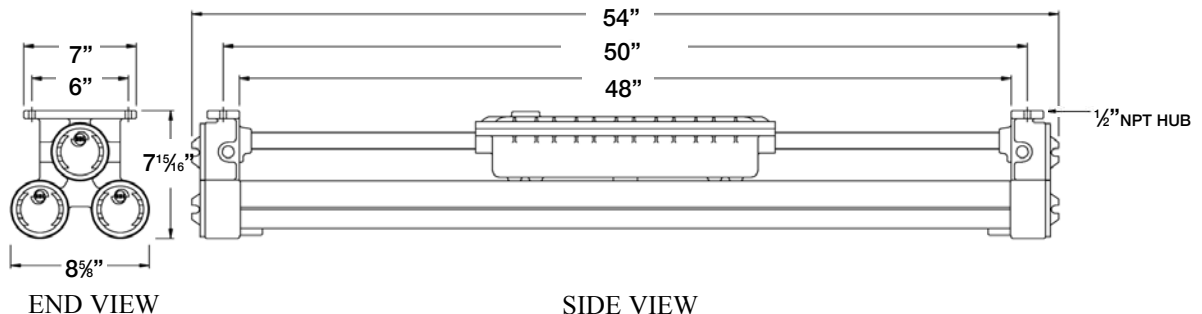


SMK = SHOCK MOUNT KIT



BCK = BEAM CLAMP MOUNTING KIT

DIMENSIONS



SNELSON OILFIELD LIGHTING
8622 FAIRBANKS N HOUSTON RD.
HOUSTON, TX 77043

www.snelsonlights.com

713-937-3600