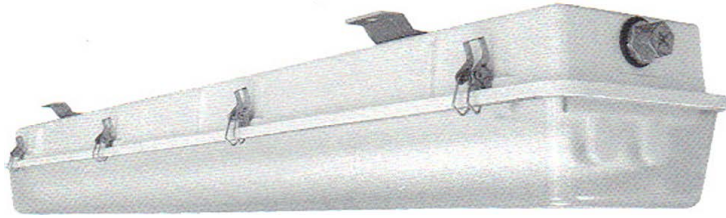




6100 SERIES VAPOR TIGHT FLUORESCENT CLASS I, DIVISION 2 GROUPS A, B, C & D



FEATURES & SPECIFICATIONS:

Construction

- Body is one-piece fiberglass reinforced polyester with an internal corrosion-resistant channel constructed of .04" pre-painted aluminum
- Housing includes eight stainless steel latches that provide a positive seal between the diffuser and gasket
- Mounting brackets
- 1/2" watertight aluminum hubs furnished standard, stainless steel optional

Optical system

- Standard lens is a high impact 100% DR acrylic diffuser with an internal crepe pattern allowing a smooth exterior surface for ease of cleaning
- The diffuser flange fits snugly into the gasketed retention slot forming a continuous tight seal

Electrical System

- Ballasts are UL listed (UL 935) and CSA certified, Class P, high power factor, Type 1 Outdoor, Type HL
- Instant start electronic ballasts are supplied standard with universal voltage (120-277V, ±10% THD) operating at 50/60HZ
- Cold weather operation to -20°C (T8HO & T12HO) or 0°C (T8)
- Cold weather operation to 0°C with optional battery pack
- Lamps are included

LISTINGS:

ETL Tested to UL 844
Class I, Div. 2 Groups A, B, C & D
ETL Tested to UL 1598A
Marine/Outdoor use
ABS Approved

APPLICATIONS:

- Hazardous locations where dust, dirt, corrosive & wet conditions are present
- Wastewater treatment plants
- Refrigerated areas
- Car washes
- Cold storage
- Canopies

OPTIONS:

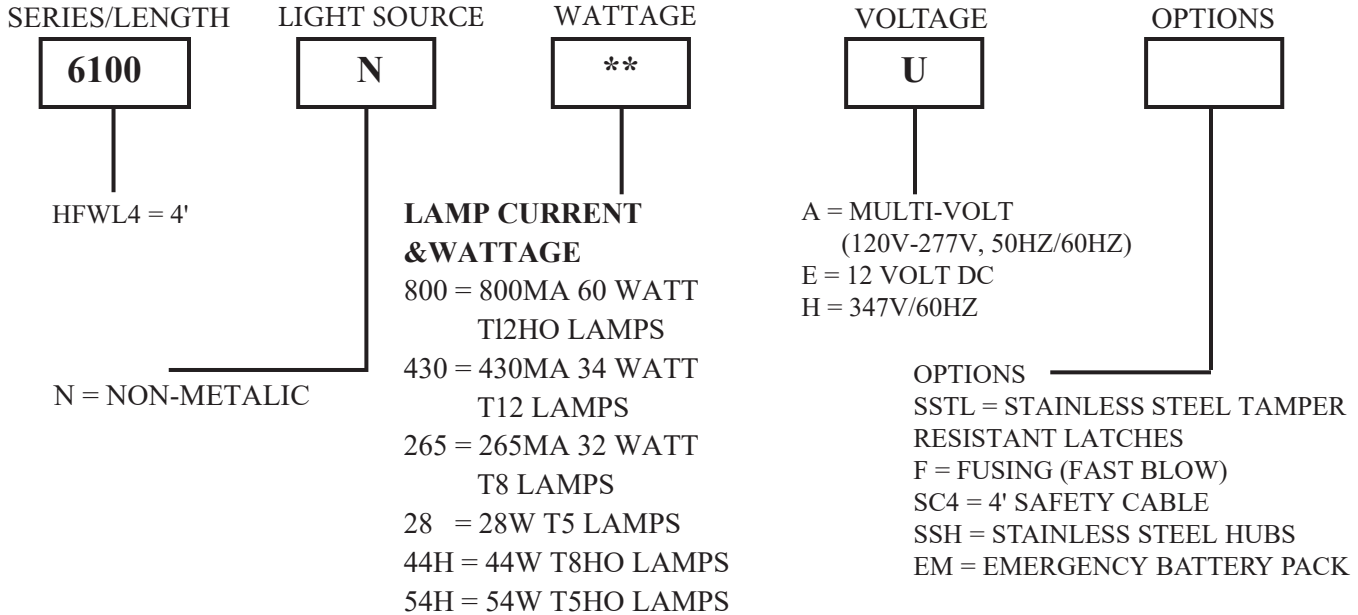
- 3000K, 3500K & 5000K
*4000K Standard
- Emergency battery backup

SHIPPING WEIGHT:

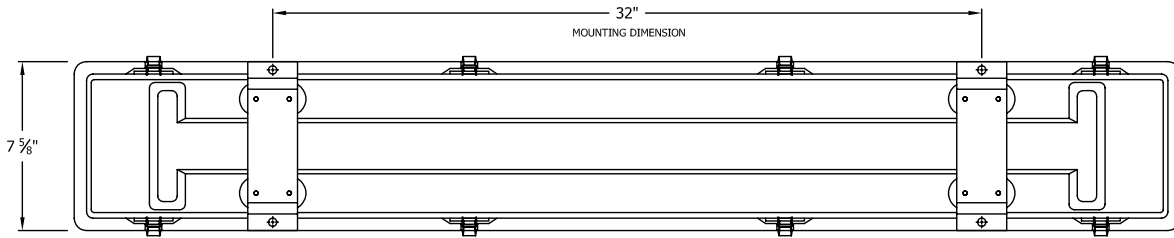
- 11 lbs

6100 SERIES

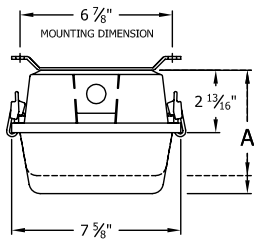
ORDERING INFORMATION



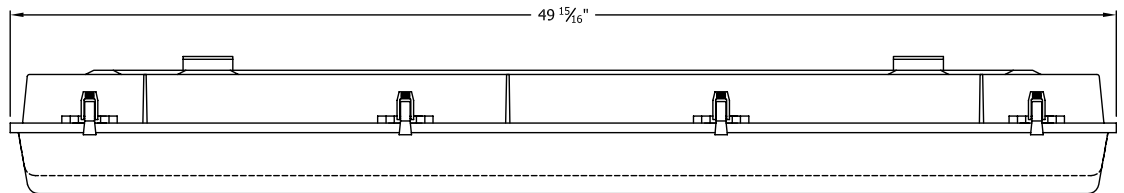
DIMENSIONS



TOP VIEW



END VIEW



SIDE VIEW



SNELSON OILFIELD LIGHTING
 8622 FAIRBANKS N HOUSTON RD
 HOUSTON, TX 77064

www.snelsonlights.com

713-937-3600 Phone
 866-563-2832 Phone
 713-937-3604 Fax